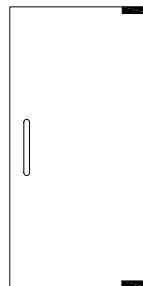
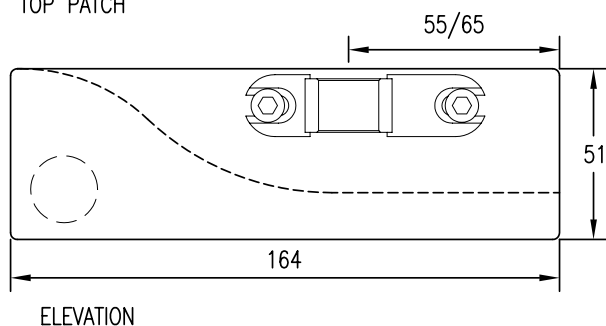


PATCH FITTINGS

PT 10/20



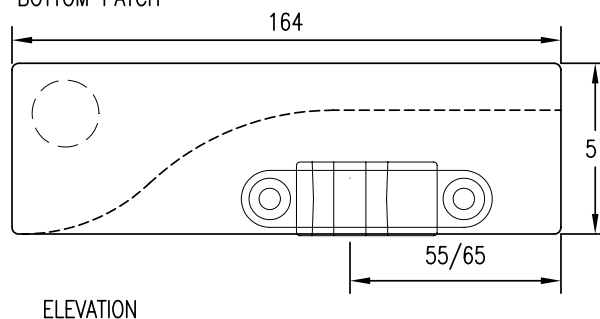
PT 20
TOP PATCH



ELEVATION

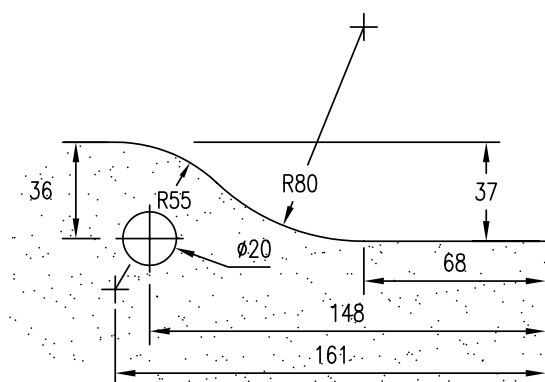
PLAN

PT 10
BOTTOM PATCH



ELEVATION

PLAN



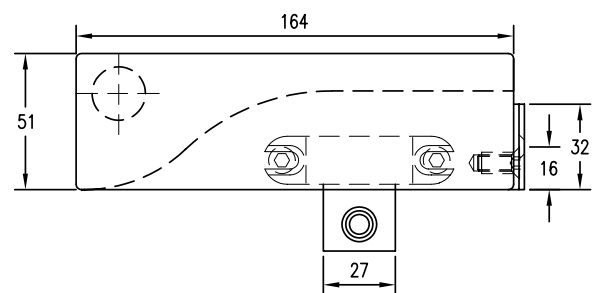
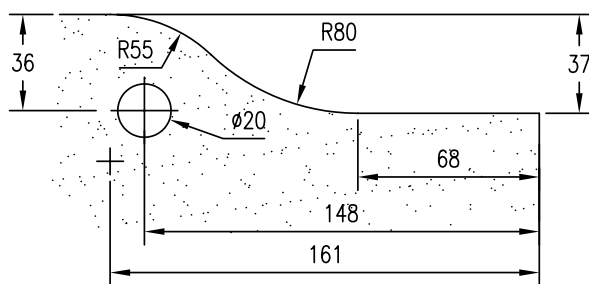
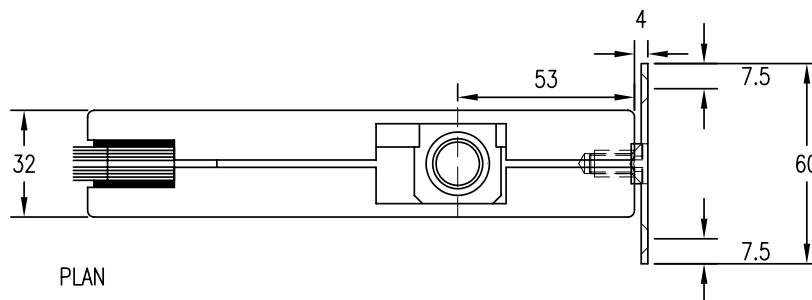
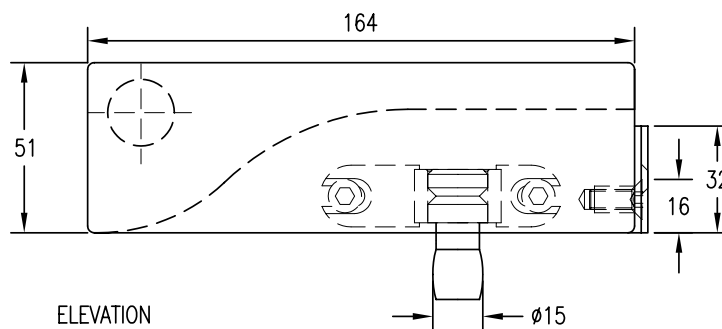
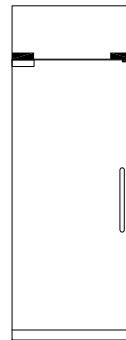
PT 10/20 GLASS PREPARATION

PT 10/20 SPECIFICATION: Universal 51mm x 164mm Bottom & Top Patch Fitting with Covers, to suit DORMA BTS Floor Springs or Free Pivots. Pivot Point set at 55mm or 65mm. Specify Glass Thickness 10, 12 or 15mm.

FINISHES
ALUMINIUM:
MILL, SAA
STAINLESS: SSS, PSS

PATCH FITTINGS

PT 30/30S

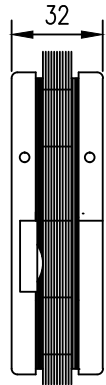


PT 30 & 30S SPECIFICATION: Universal 51mm x 164mm PT 30 Over panel Patch Fitting with Backing Plate and Pivot to suit DORMA PT 20 Upper Patch Fitting, and PT 30S Over panel Patch Fitting with Backing Plate and Stop Insert.
Specify Glass Thickness 10, 12 or 15mm.

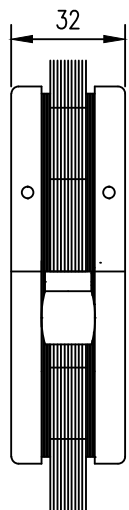
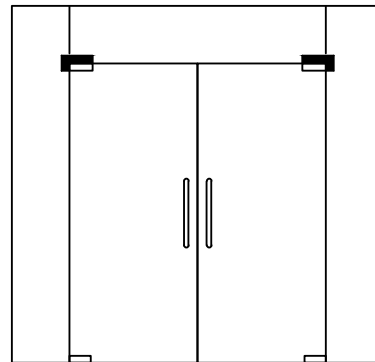
FINISHES
ALUMINIUM:
MILL, SAA
STAINLESS: SSS, PSS

PATCH FITTINGS

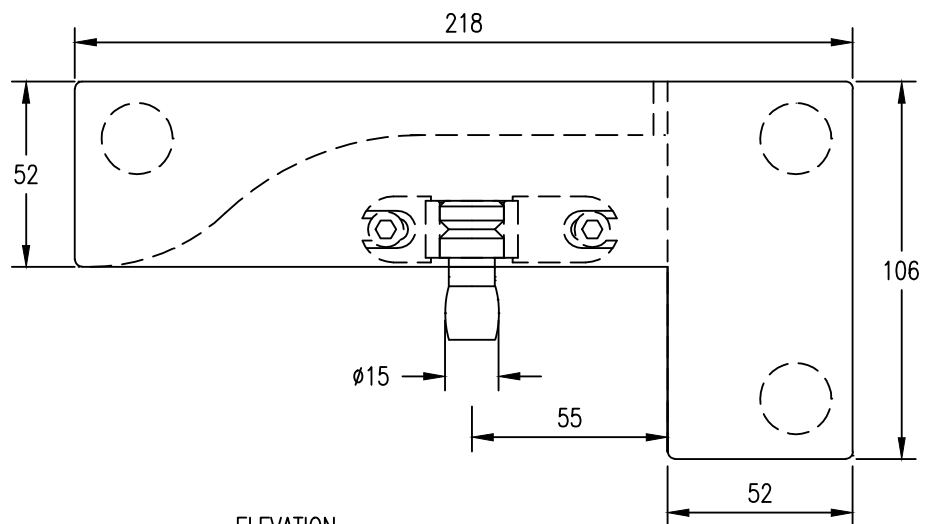
PT 40/40S



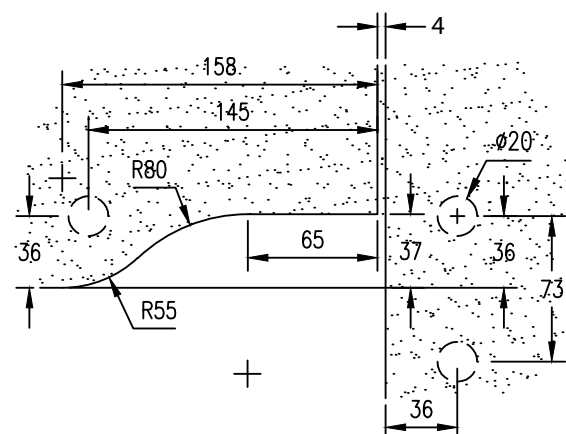
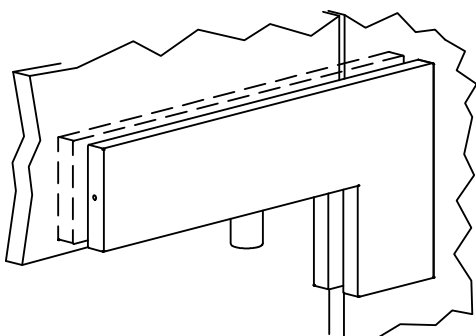
PT 40S STOP PATCH



END VIEW



ELEVATION



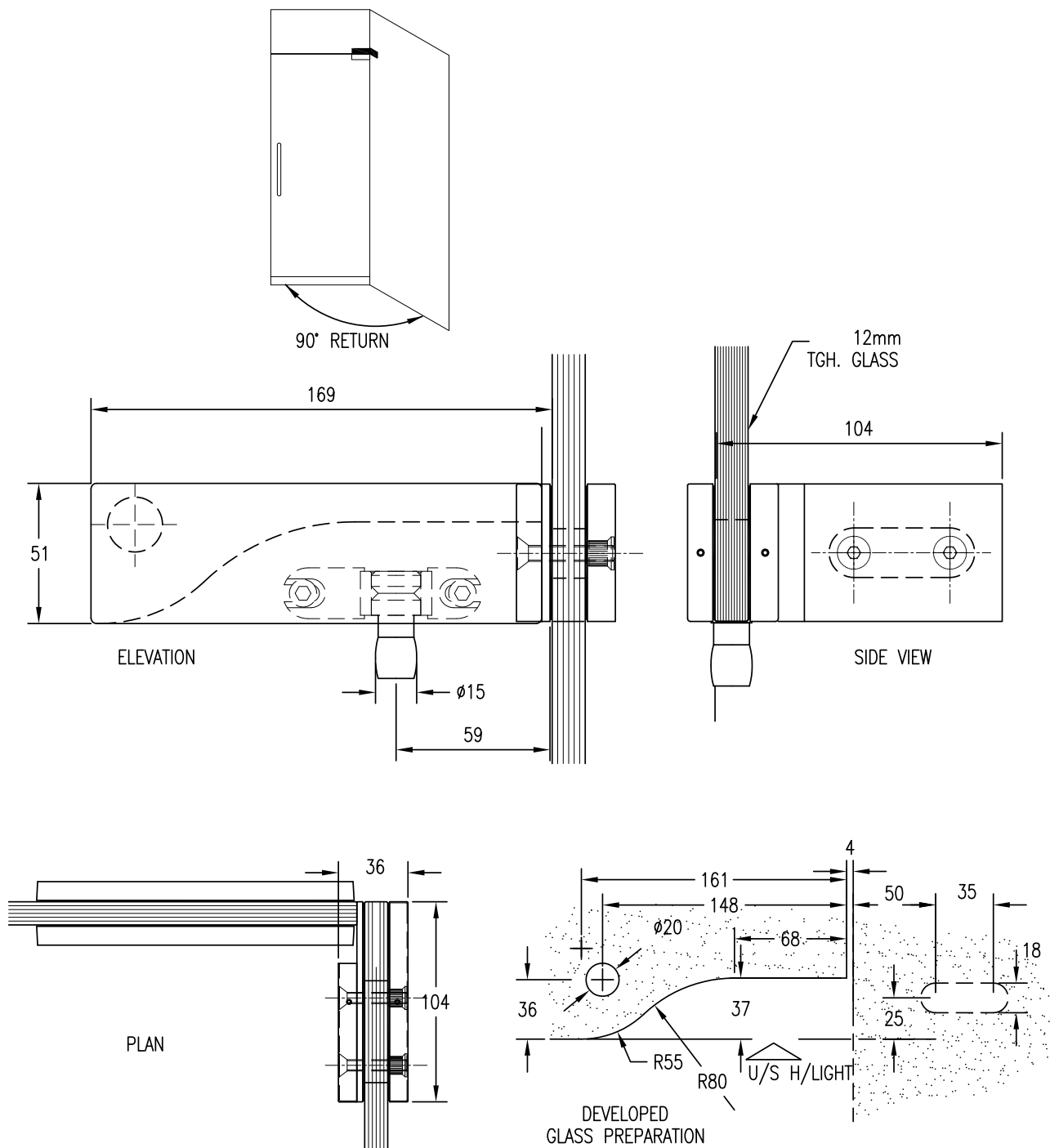
GLASS PREPARATION

PT 40 & PT 40S SPECIFICATION: Universal 218mm x 106mm
 PT 40 Highlight to Sidelight Corner Link Patch with Pivot, and PT 40S
 Highlight to Sidelight Corner Link Patch with Stop Insert.
 Pivot Point Set at 55mm.
 Specify Glass Thickness 10, 12 or 15mm.
 SPECIFY: PT 40 Highlight to Sidelight Corner Pivot Patch
 SPECIFY: PT 40S Highlight to Sidelight Corner Stop Patch

FINISHES
 ALUMINIUM:
 MILL, SAA
 STAINLESS: SSS, PSS

PATCH FITTINGS

PT 40/90°

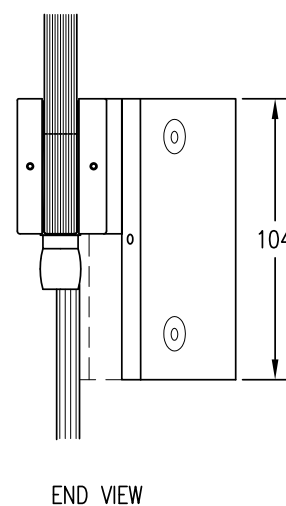
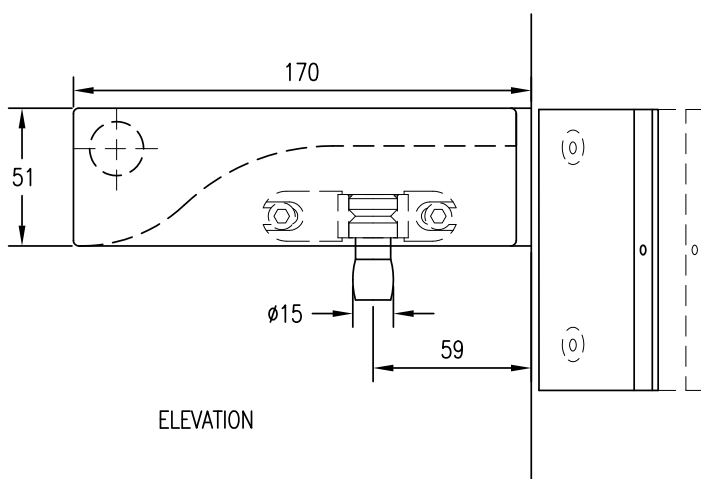
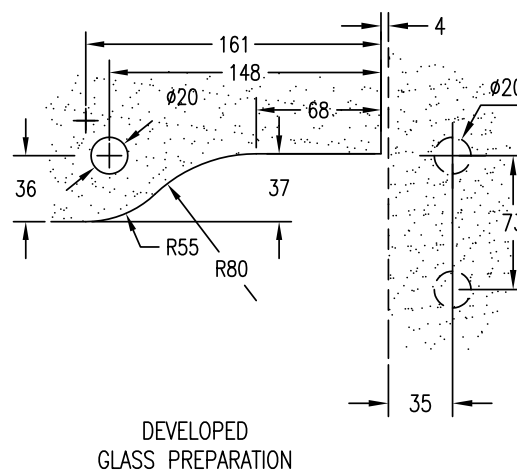
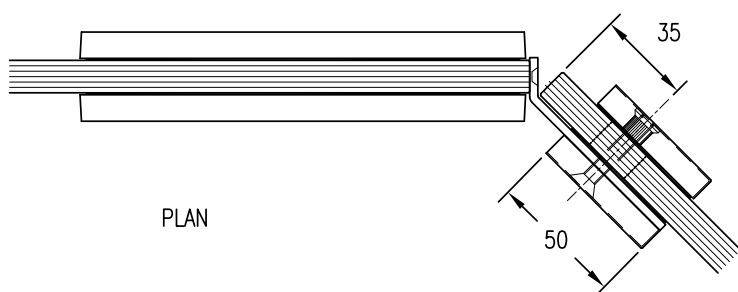
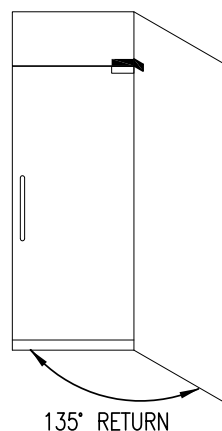


PT 40/90 SPECIFICATION: Universal 51mm x 192mm High Light to Side Light Corner Link Patch with return at 90 degrees, fitted with PT 30.1 Adaptor set at 55mm to suit PT20 Top Patch. Specify Glass Thickness 10, 12 or 15mm. Specify Handing LH / RH Specify PT 30.1 S Stop Insert if required. ILLUSTRATED: PT 40/90 RH

FINISHES
 ALUMINIUM:
 MILL, SAA
 STAINLESS: SSS, PSS

PATCH FITTINGS

PT 40/135°



PT 40/135 SPECIFICATION: Universal 104mm x 192mm x 50mm
High Light to Side Light Corner Link Patch with return at 135 degrees,
fitted with PT 30.1 Adaptor set at 55mm to suit PT 20 Top Patch.

Specify Handing LH / RH

Specify glass thickness 10,12 or 15mm.

Specify PT30.1 S Stop Insert if required.

ILLUSTRATED: PT 40/135 RH

NOTE: Manufactured to suit all angles of return, specify angle required.

FINISHES

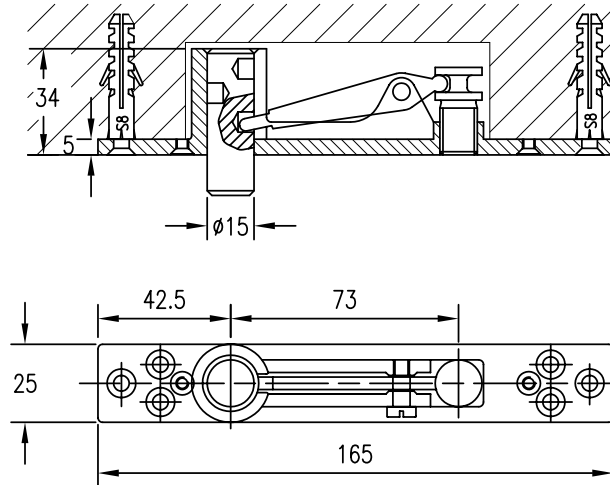
ALUMINIUM:

MILL, SAA

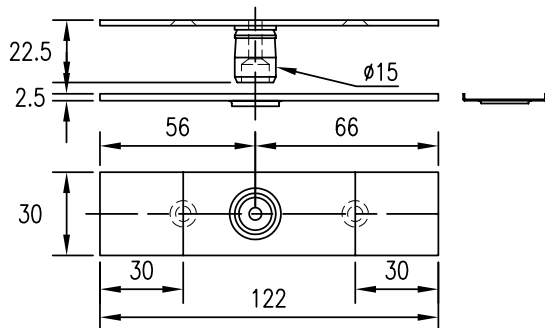
STAINLESS: SSS, PSS

PATCH FITTINGS

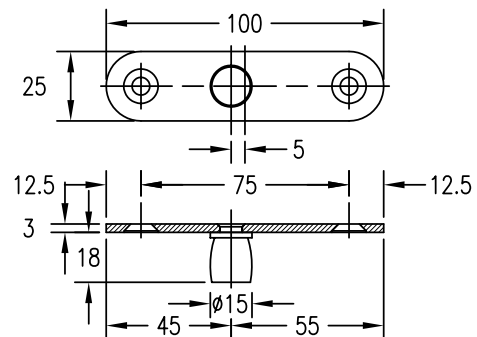
TOP PIVOTS



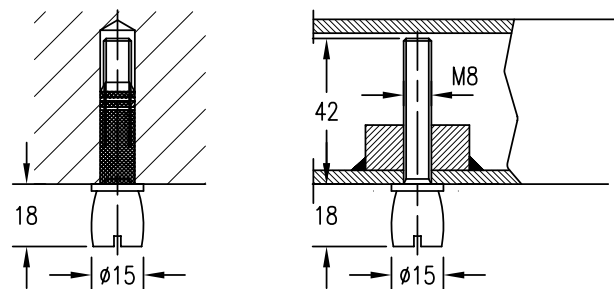
8066U
WIND DOWN 15MM UPPER PIVOT ASSEMBLY
OPTIONAL COVER PLATE: 8064 SSS



CD 58
15MM UPPER PIVOT ASSEMBLY WITH COVER



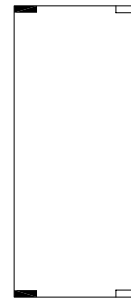
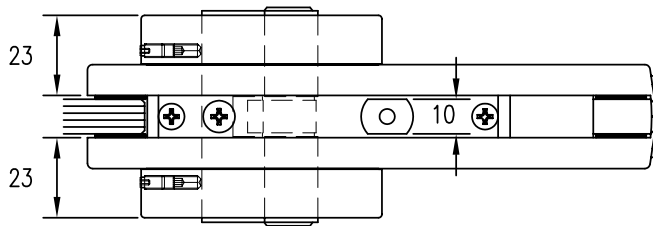
PT 24
FIXED PLATE 15MM UPPER PIVOT ASSEMBLY



PT 25
M8 THREADED 15MM UPPER PIVOT

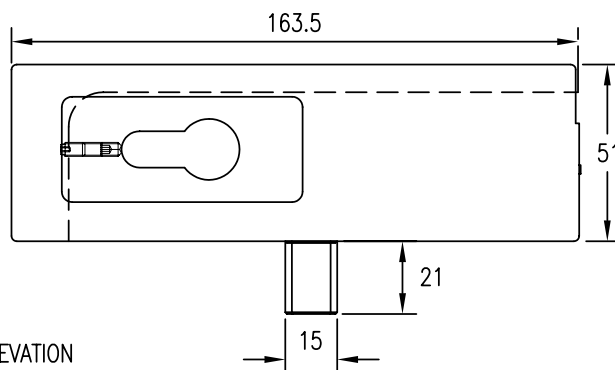
PATCH LOCKS

US 10

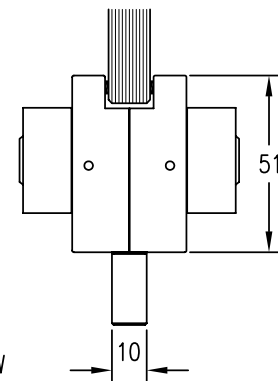


Doors are handed from outside view and pivot side.

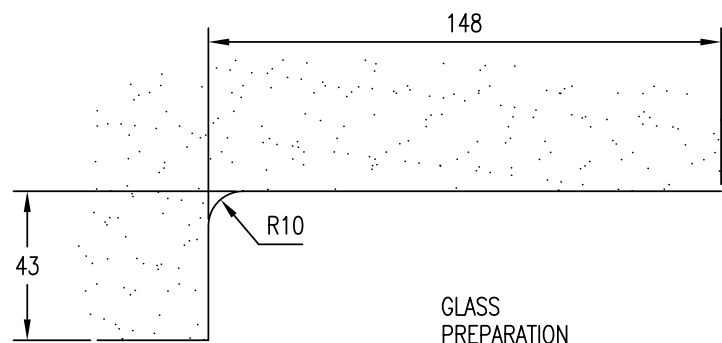
REFLECTED PLAN



ELEVATION



END VIEW



GLASS
PREPARATION

US 10 SPECIFICATION: Universal 164mm x 51mm Lower Pin Throw Patch Lock.
Specify Glass Thickness 10, 12 or 15mm.
OPTIONAL: CD 68 Cylinders

FINISHES
ALUMINIUM:
MILL, SAA
STAINLESS: SSS, PSS